

Heavy Duty Cam Action Series Product Overview

Features:

- Cam action accommodates variable workpiece thickness
- Heavy duty construction
- Solid clamp arms may be modified to suit application requirements

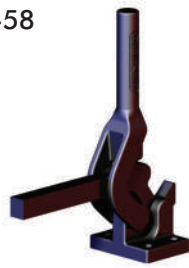
Applications:

- Light machining
- Welding
- Assembly

7-101



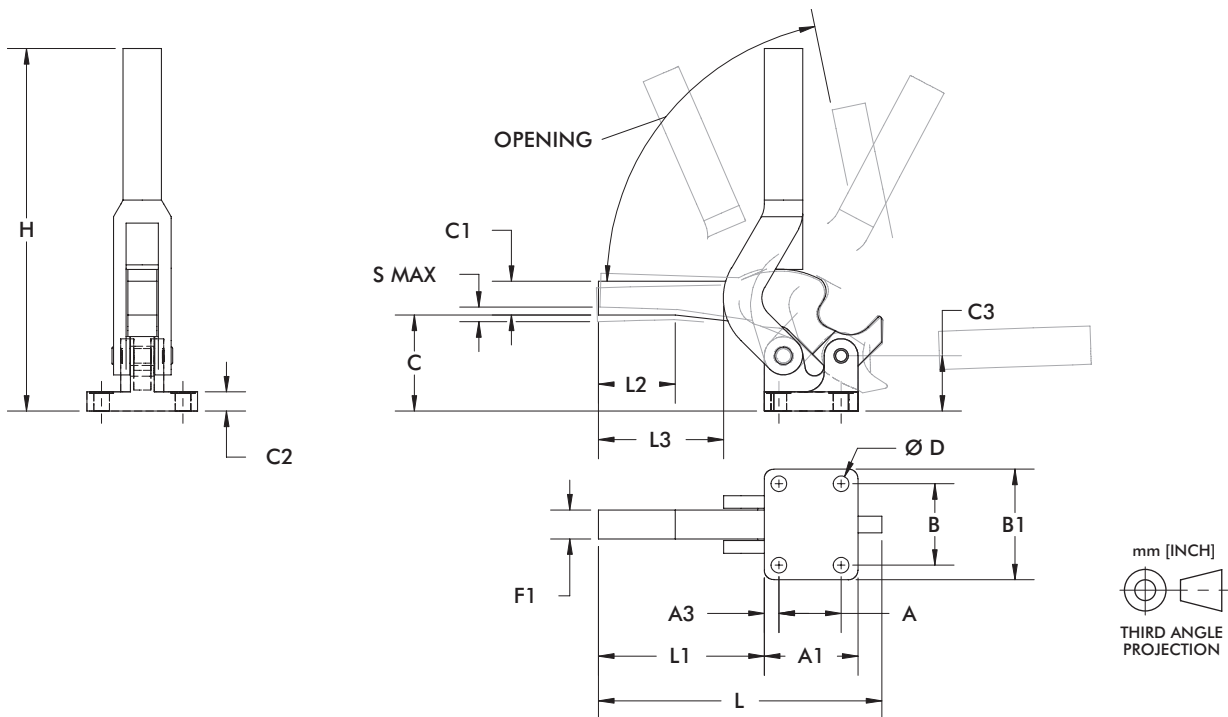
7-58



Technical Information

| Model | Max. Holding Capacity | Clamp Bar Opening (+10°) | Weight |
|--------------|-----------------------|--------------------------|-----------------|
| 7-101 | 2110 N [475 lbf] | 80° | 0,45kg [1.0lbs] |
| 7-58 | 2670 N [600 lbf] | 95° | 0,91kg [2.0lbs] |
| 7-59 | 4450 N [1000 lbf] | 95° | 1,36kg [3.0lbs] |
| 7-60 | 7120 N [1600 lbf] | 80° | 2,27kg [5.0lbs] |

Heavy Duty Cam Action Series Standard Clamp Dimensions - Flanged Base



| Model | A | A1 | A3 | B | B1 | C | C1 | C2 | C3 | D | F1 | H | L | L1 | L2 | S max. |
|--------------|----------------|----------------|----------------|----------------|----------------|----------------|----------------|----------------|----------------|----------------|----------------|-----------------|-----------------|-----------------|----------------|---------------|
| 7-101 | [0.75] 19,1 | [1.25] 31,8 | [0.25] 6,1 | [1.25] 31,8 | [1.75] 44,5 | [1.44] 36,6 | [0.50] 12,7 | [0.31] 7,9 | [1.00] 25,4 | [0.22] 5,6 | [0.50] 12,7 | [5.00] 127 | [4.63] 117,6 | [3.12] 79,3 | - | [0.13] 3,3 |
| 7-58 | [1.00] 25,4 | [1.69] 42,9 | [0.34] 8,6 | [1.62] 41,2 | [2.25] 57,2 | [1.87] 47,5 | [0.56] 14,2 | [0.38] 9,7 | [1.12] 28,5 | [0.28] 7,1 | [0.50] 12,7 | [7.00] 177,8 | [6.99] 177,6 | [2.55] 64,8 | - | [0.13] 3,3 |
| 7-59 | [1.38] 35,1 | [2.06] 52,3 | [0.39] 9,9 | [1.88] 47,8 | [2.50] 63,5 | [2.19] 55,6 | [0.63] 16 | [0.44] 11,2 | [1.25] 31,8 | [0.34] 8,6 | [0.63] 16 | [8.50] 215,9 | [6.00] 152,4 | [3.50] 88,9 | [1.24] 31,5 | [0.19] 4,8 |
| 7-60 | [1.62] 41,2 | [2.44] 62 | [0.44] 11,2 | [2.12] 53,9 | [2.88] 73,2 | [2.50] 63,5 | [0.88] 22,4 | [0.50] 12,7 | [1.44] 36,6 | [0.41] 10,4 | [0.75] 19,1 | [9.50] 241,3 | [7.40] 188 | [4.38] 111,3 | [1.97] 50 | [0.25] 6,4 |